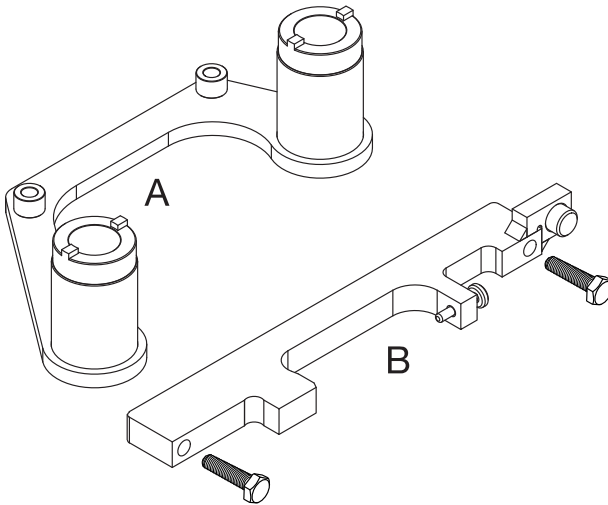


829097 - Balance Shaft Setting Kit

829097 has been designed to set the balance shafts on BMW N47 Diesel engines when the balance shafts have been disturbed also includes the Crankshaft setting bridge required to set the crankshaft in its bottom dead centre (BDC) number 1 position.(see application list).

Components

Ref	Comp	OEM	Description
A	4880292	11 8 750	Balance shaft alignment tool
B	4880292	11 8 790, 11 8 791, 11 8 793	Crankshaft Alignment tool



Instructions

The following instructions are for guidance only. Please refer to OEM derived data such as the vehicles manufactures own data or Autodata. The use of these engine timing tools is purely down to the user's discretion and Sonic cannot be held responsible for any damage caused what so ever.

