

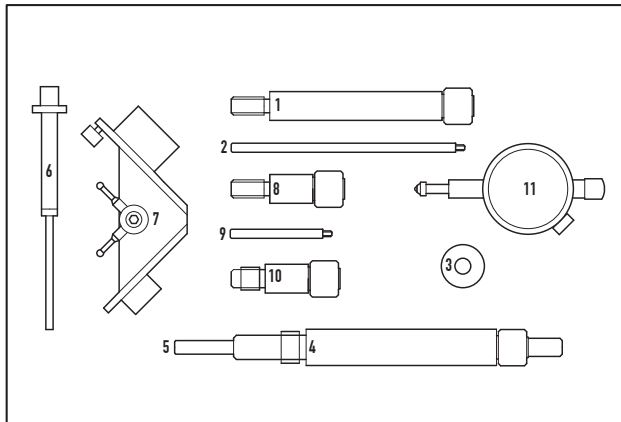
829096 - Diesel Injection Pump Timing Kit

Description:

The 829096 tool kit is required when setting up Bosch EP/VE Rotary, Nikki, Nippon Denso, CAV Roto-diesel injection pumps (top entry port) and the PSA XUD range of engines.

Components

Ref	Comp	OEM	Description
1	4880083		Adaptor Assembly (long M8)
2	4880084		DTI Extension (Long)
3	4880085		M8-M12 connector
4	4880086		M14 Adaptor
5	4880087		Plunger Extension
6	4880088	999 5382	Probe
7	4880089	999 5382	CAV DTI Mounting Bracket
8	4880124		M8 short Adaptor
9	4880125		DTI Extension (Short)
10	4880126		M10 Short Adaptor
11	4880123	KM 571A, 3313	Dial Test Indicator



Instructions

The following instructions are for guidance only. Please refer to OEM derived data such as the vehicles manufactures own data or Autodata. The use of these engine timing tools is purely down to the user's discretion and Sonic cannot be held responsible for any damage caused what so ever.

