

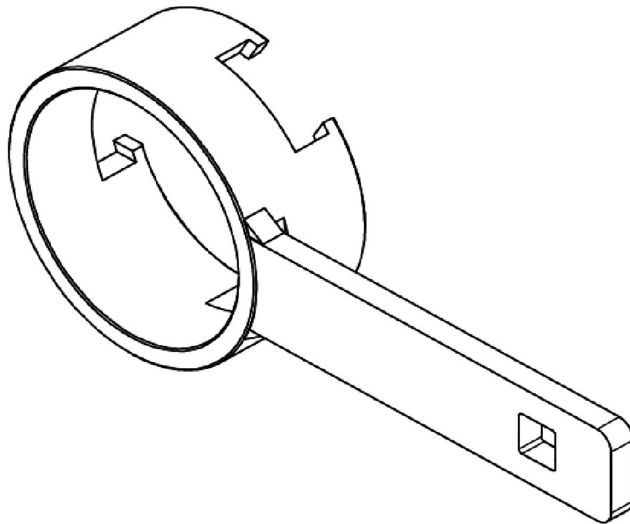
829091 - Crankshaft Holding Tool

Description:

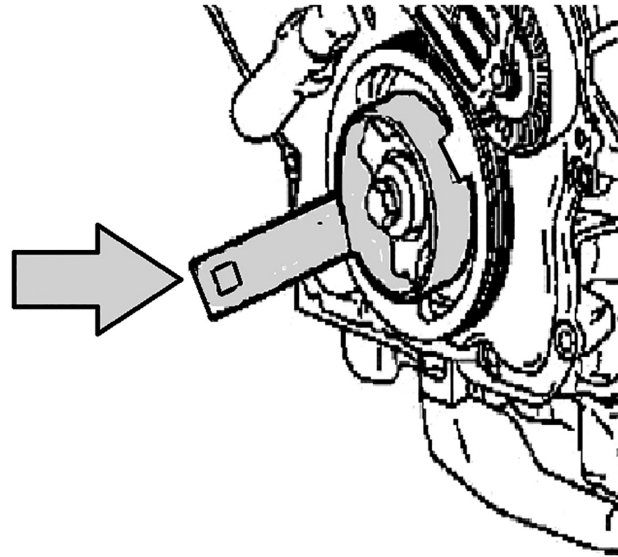
The 829091 is designed to hold the front crankshaft pulley while tightening or loosening the pulley fixings on the GM/Opel/Saab 2.0lt and 2.2 lt petrol engines.

Components

Ref	Comp	OEM	Description
1	4880230	KM-J-38122-A	Crankshaft Holding Tool



Instructions



Instructions

The following instructions are for guidance only. Please refer to OEM derived data such as the vehicles manufactures own data or Autodata. The use of these engine timing tools is purely down to the user's discretion and Sonic cannot be held responsible for any damage caused what so ever.

