



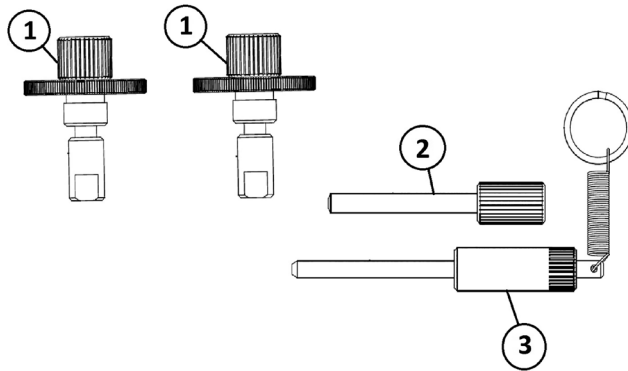
## 829063 - Engine Timing Kit

### Description:

This is an essential engine timing tool set that provides the camshaft and crankshaft timing tools only.

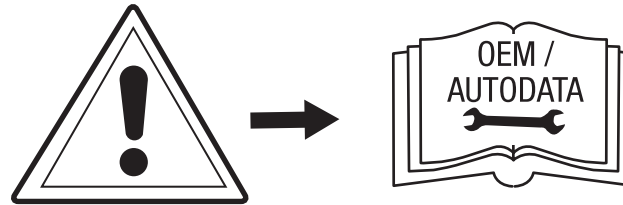
### Components

Ref	Comp	OEM	Description
1	4880309	T10494	Camshaft Alignment Tool
2	4880199	T10340	Crankshaft Alignment Pin



## Instructions

The following instructions are for guidance only. Please refer to OEM derived data such as the vehicles manufactures own data or Autodata. The use of these engine timing tools is purely down to the user's discretion and Sonic cannot be held responsible for any damage caused what so ever.

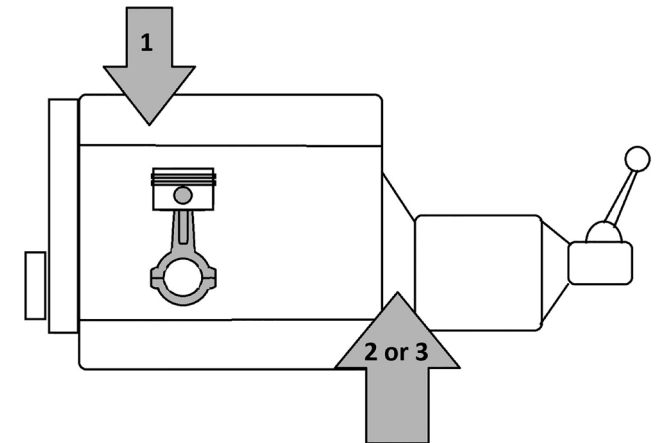
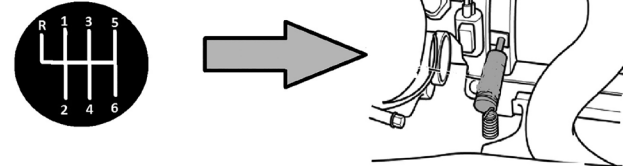
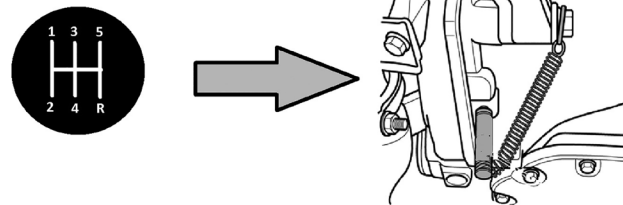


**WARNING:** Do not attempt to loosen or tighten any fixings on the camshaft or crankshaft using these tools to lock the shafts as this will cause damage.

### Instructions:

- Ensure timing marks are in their timed positions.

Crankshaft Alignment PIN (3) –



Crankshaft Setting Pin (2). Used on Fiat engines

### Camshaft Alignment Tool (1).

Access must first be gained to the blanking plugs that are positioned one on the front of the cam cover and one on the rear of the cam cover. Lift the high pressure fuel rail and engine wiring harness to gain access.

Remove the blanking plugs and screw the locking tools into place with the flats on the inner section of the tools horizontal. The tools are correctly fitted when the inner section of the tools can be easily pushed in with finger pressure.

