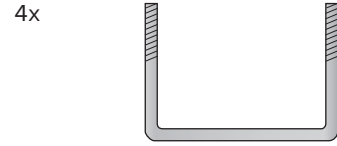
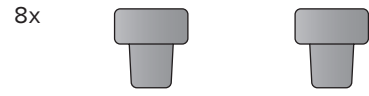
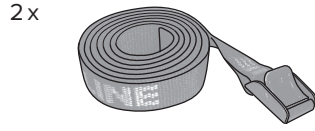


# **PACKLINE®**

Packline NX Twin  
Packline NX Twin XL  
Packline NX Traveller



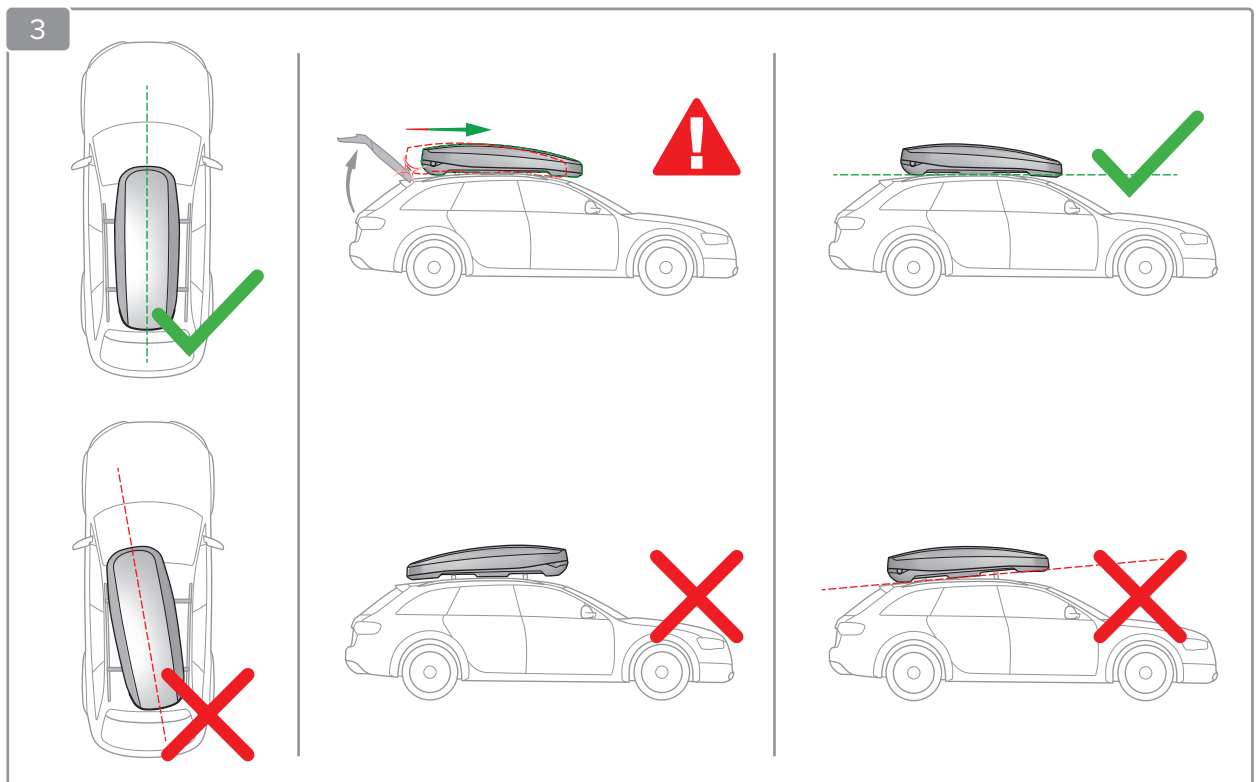
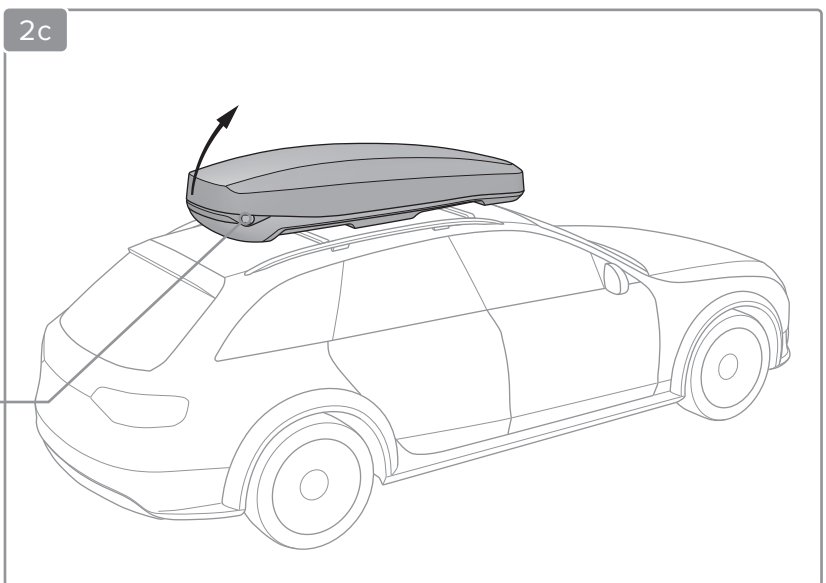
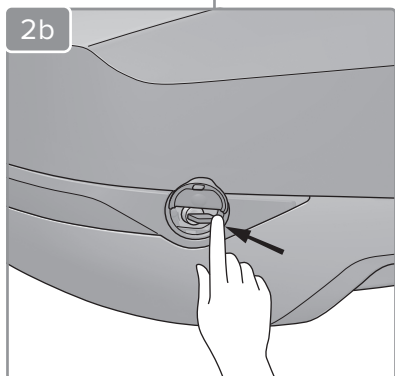
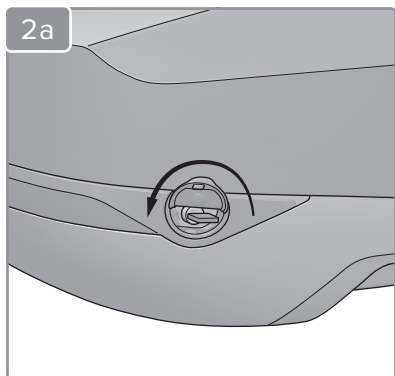
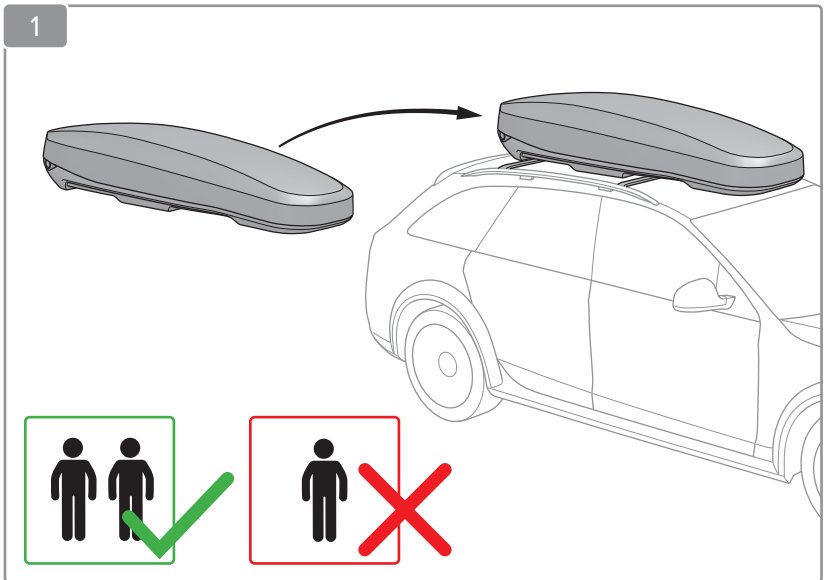
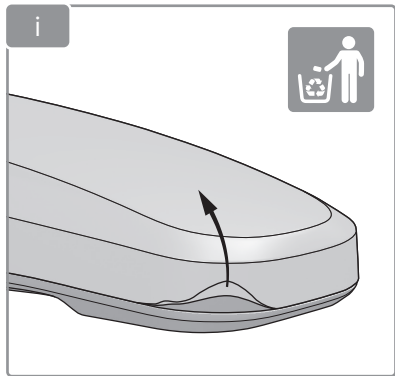
Made for Norwegian  
Adventures

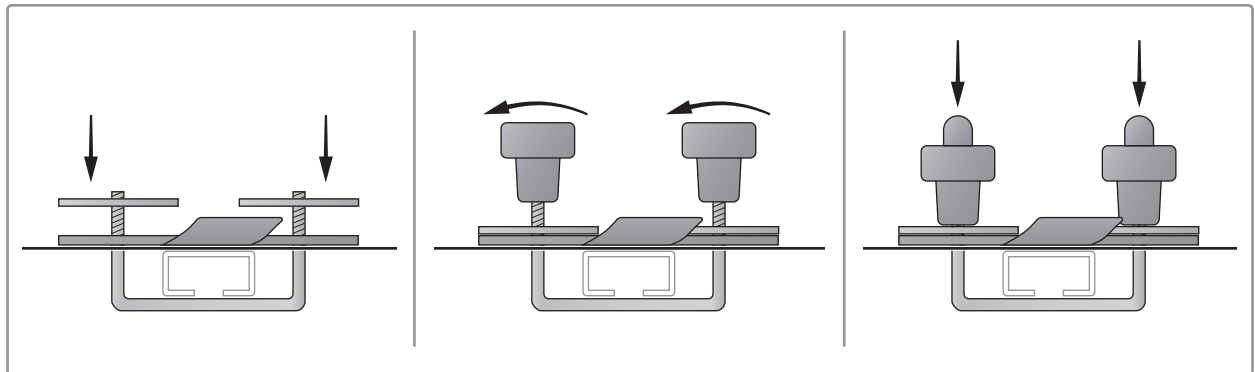
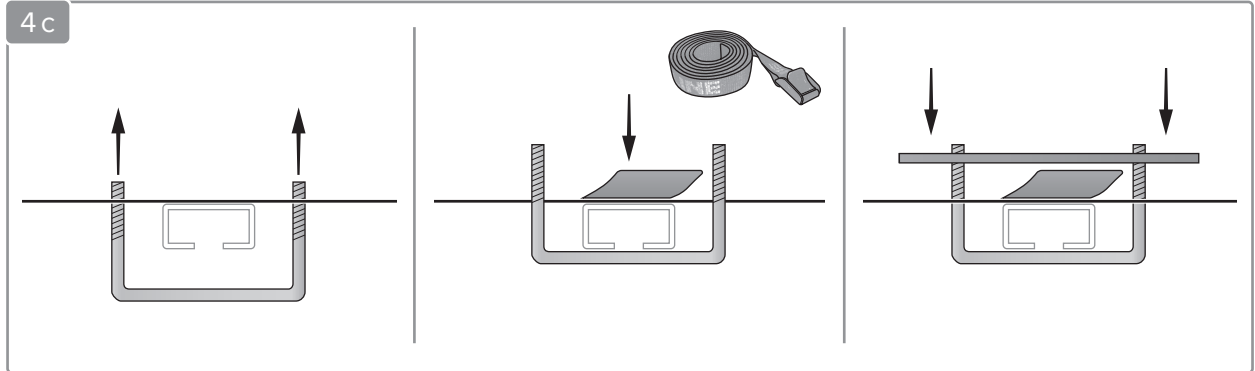
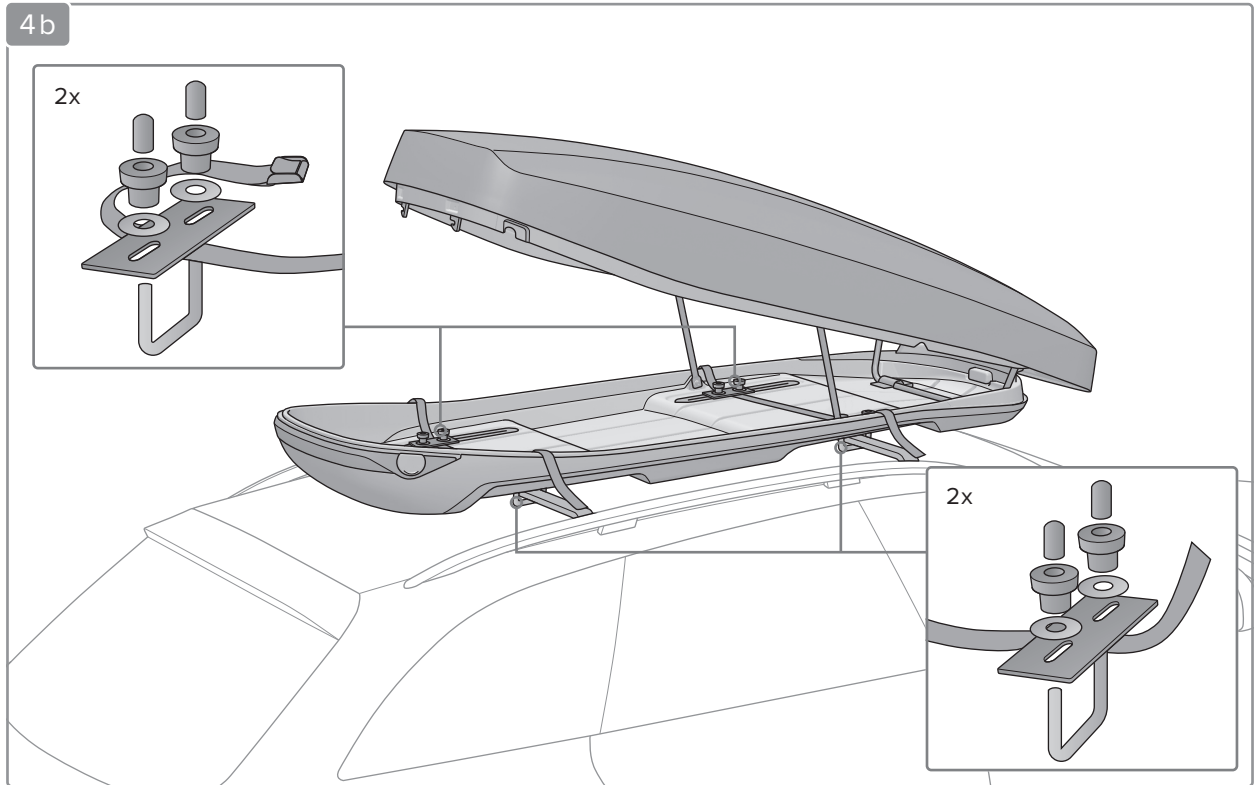
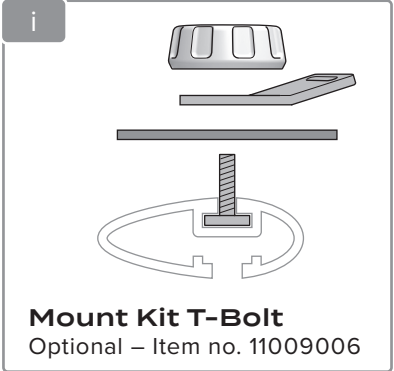
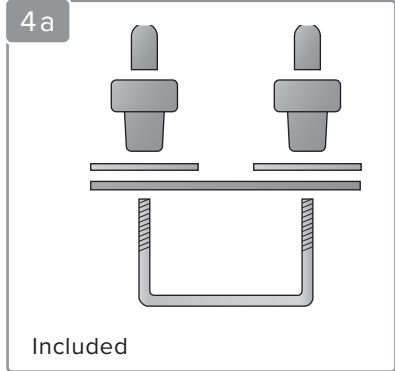


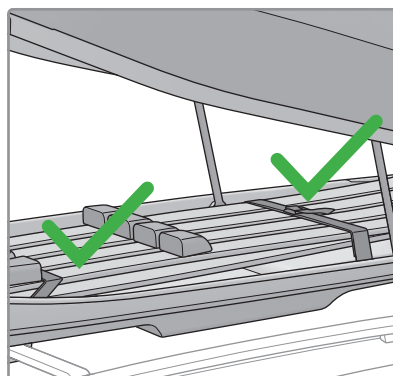
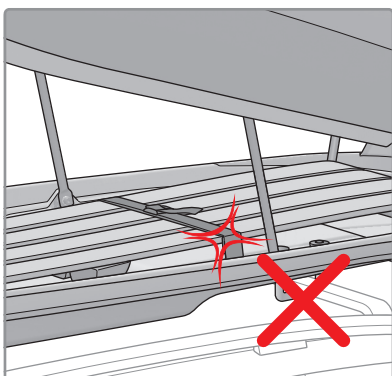
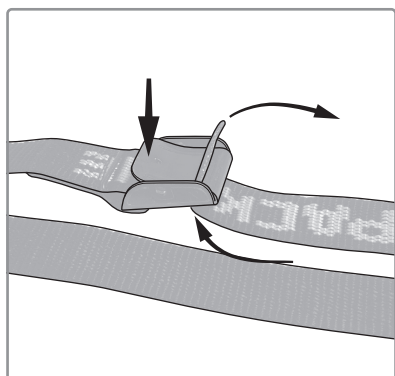
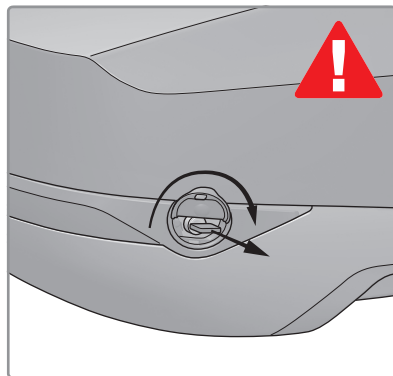
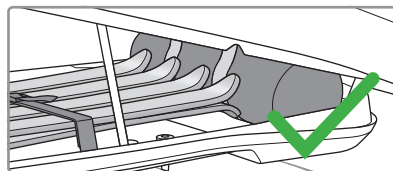
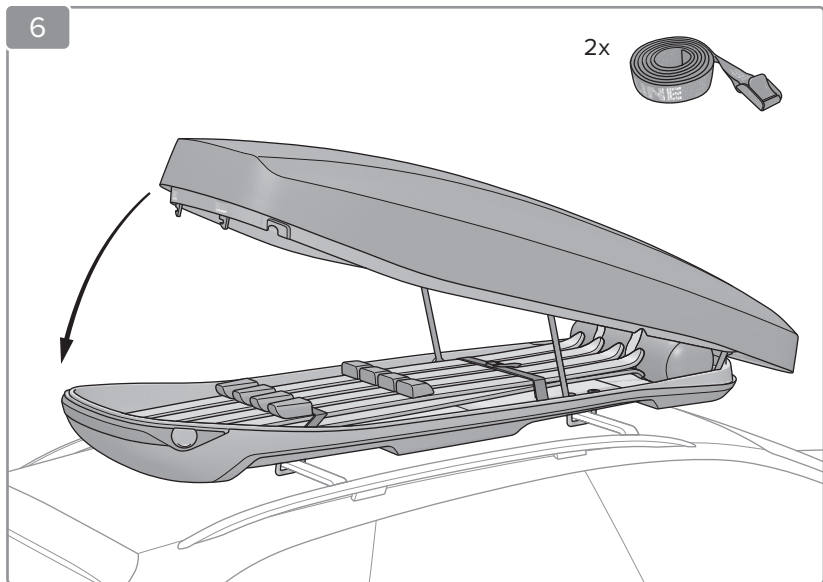
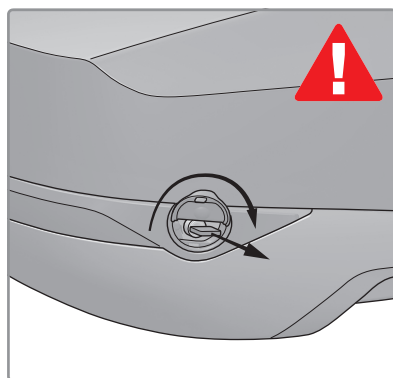
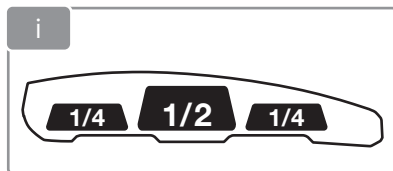
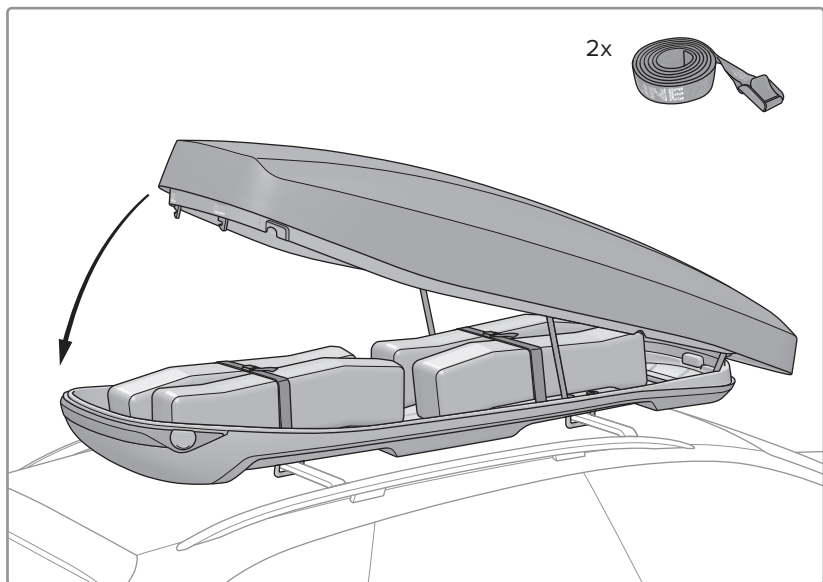
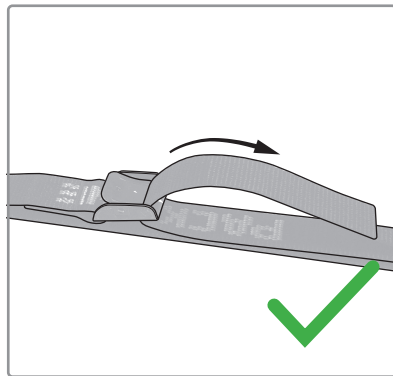
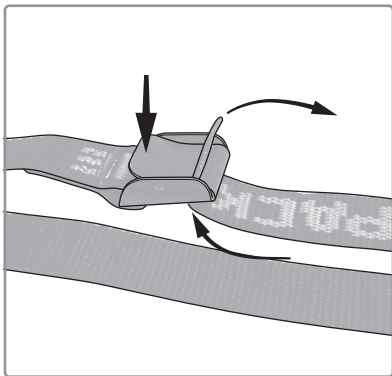
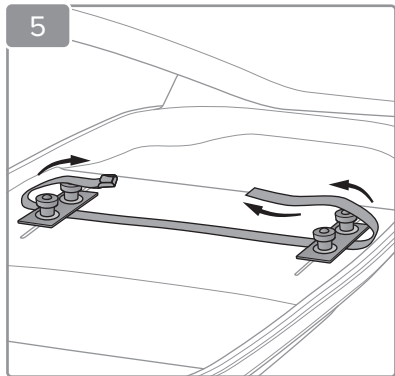
i

max. **75kg**

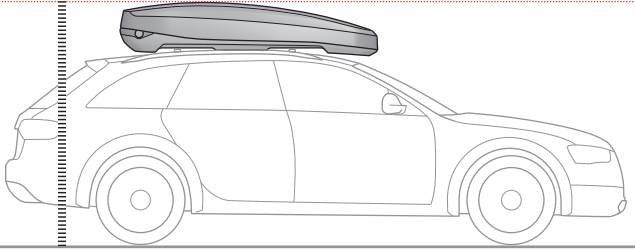
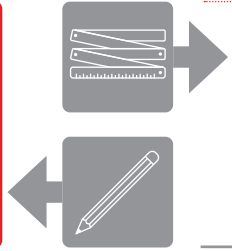
A large rectangular box contains several elements. On the left is a red circular speed limit sign with the number "130" in black. To the right of the sign is a red warning triangle with a white exclamation mark. Further right is an eye icon and a white warning sign with a black exclamation mark. Below these icons is a white label with a black border that reads "max. 75kg".



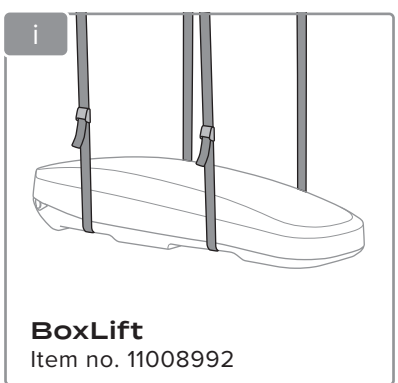
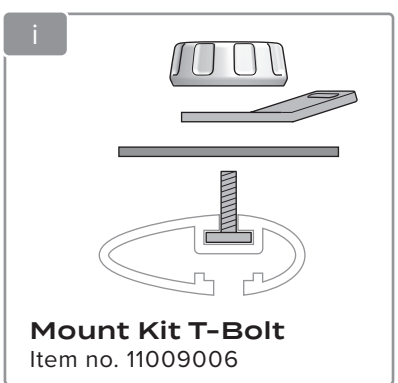
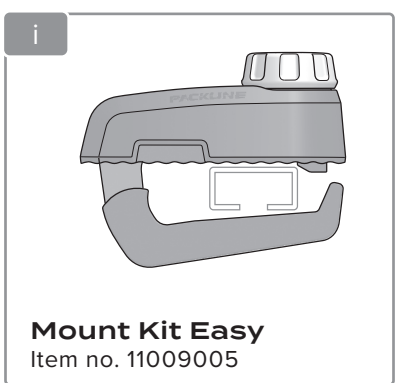
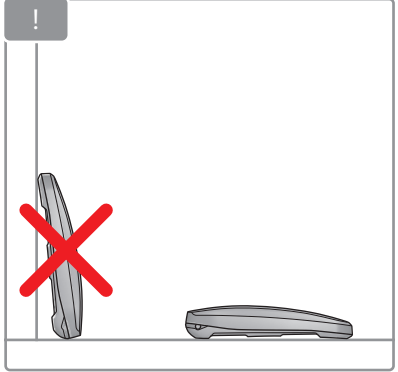
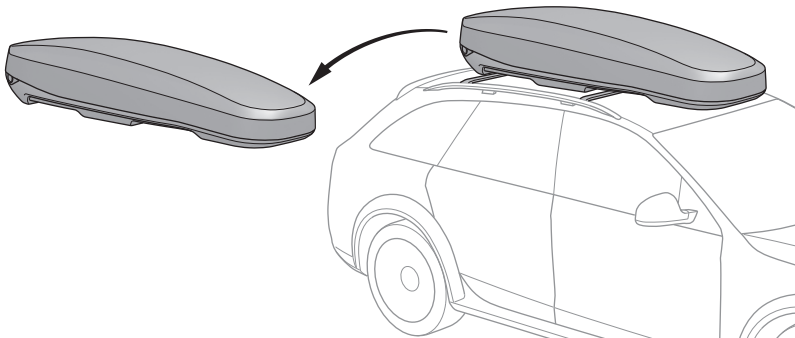


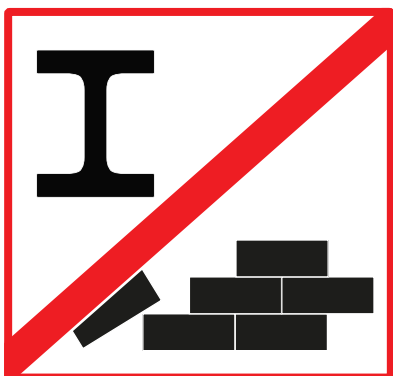
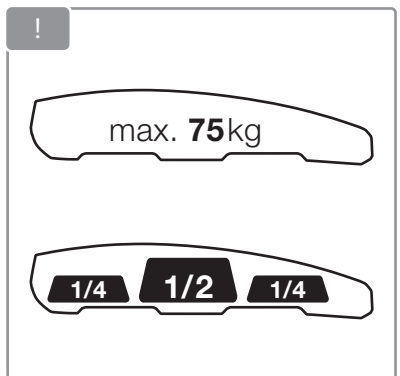
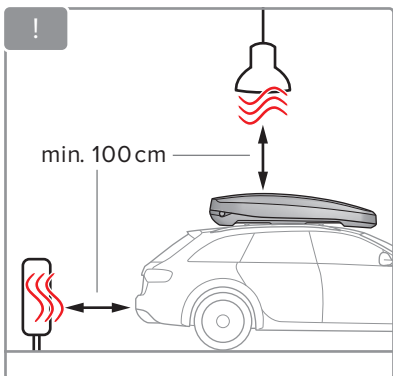
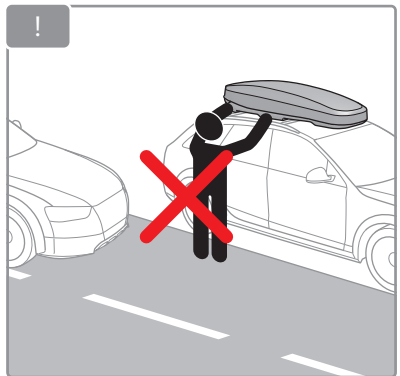
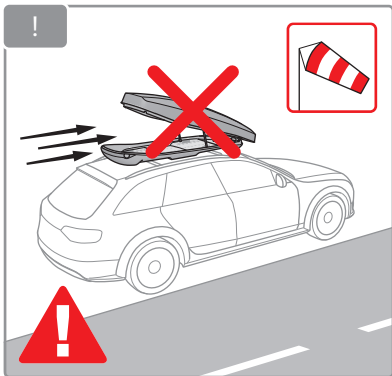
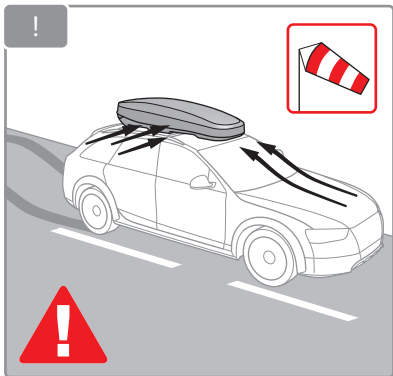
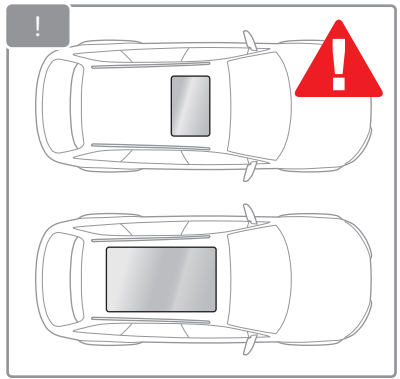
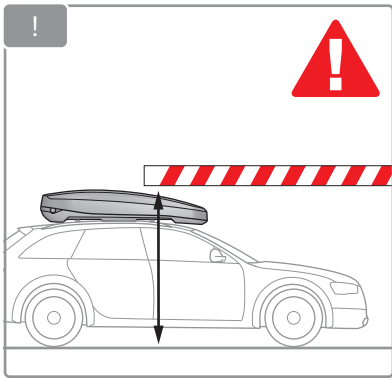
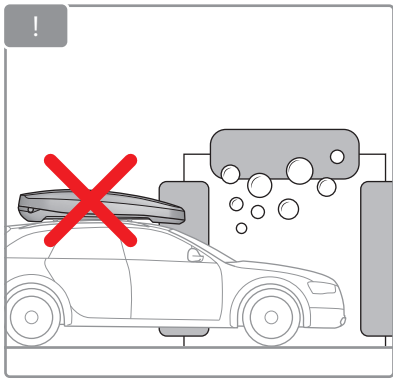


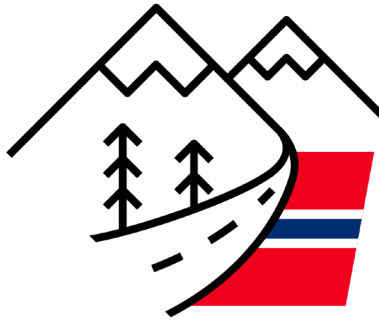
7



8







# Made for Norwegian Adventures



[packline.no](https://packline.no)



[packline.se](https://packline.se)



[packline-roofbox.com](https://packline-roofbox.com)